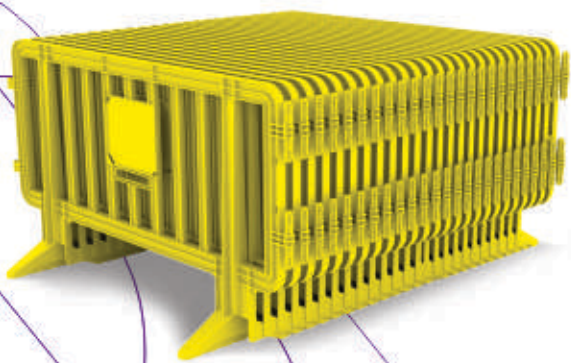
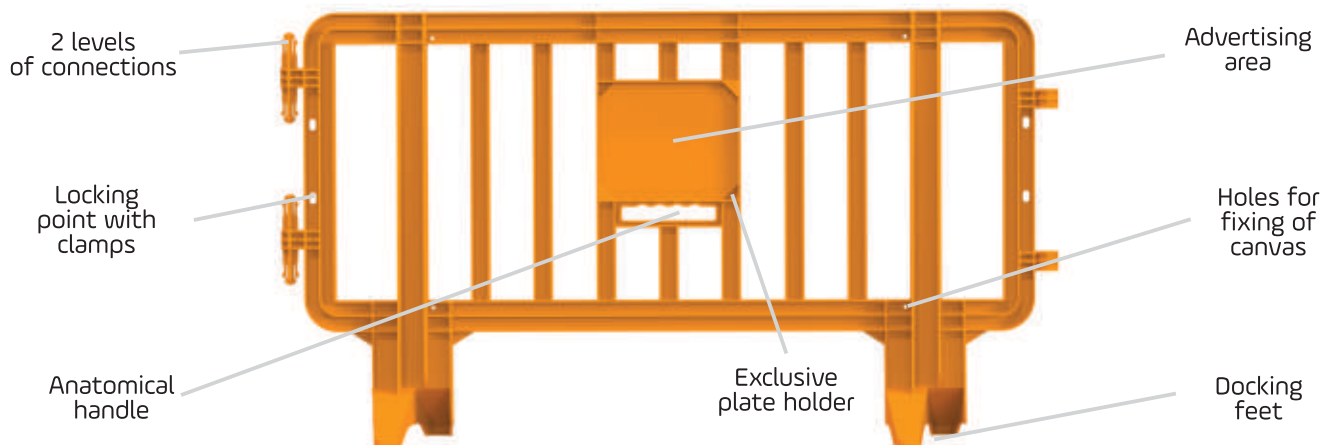
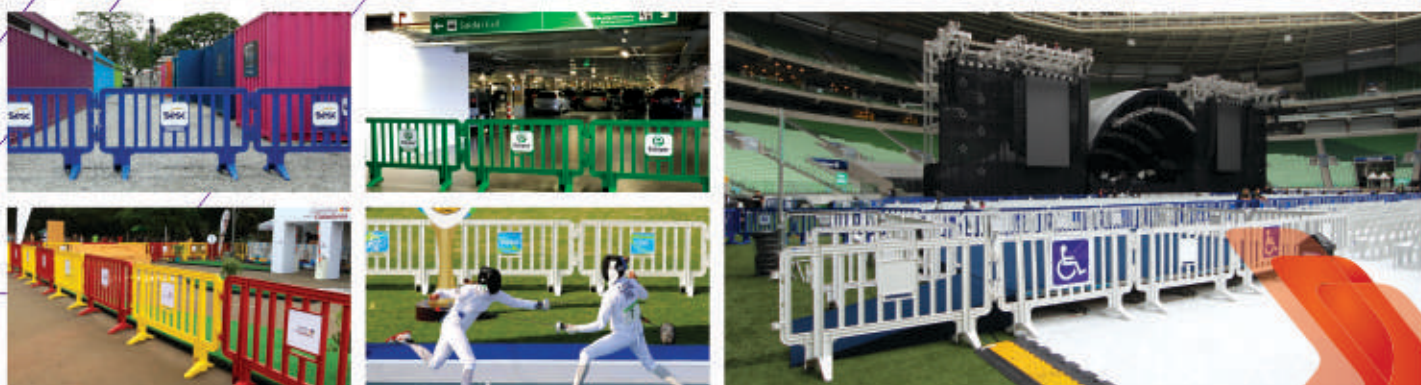


# Link™ Barricades

## The next generation of portable barricades



Consisted of a single massive piece of high performance plastic polymer with a reinforced structural design, Link barricade is robust and strong. It has protection against ultraviolet rays, providing great durability and mechanical resistance even when exposed to external environments, maximizing the possibility of applications and making it perfect for signaling and organization of multiple areas, giving them a friendly visual.

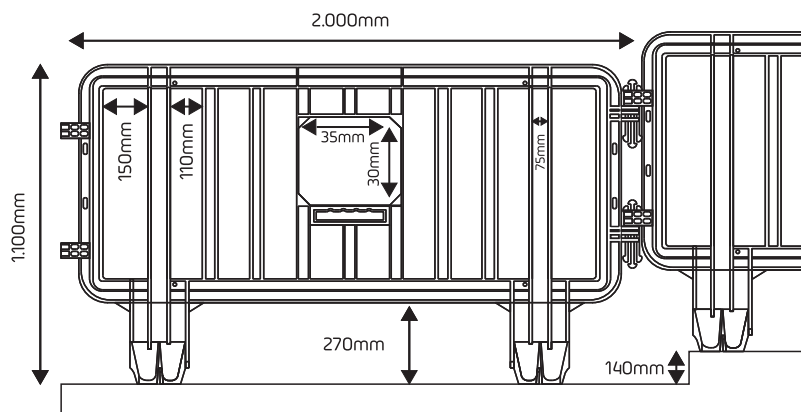


# Commitment to innovate with excellence

Link barricades is a joint venture between TsongCheng, Brazilian industry of injection molding machines, with more than 30 years of experience in thermoplastic processing; Associated with CY Holding, manager of plastic solutions companies, such as CriaDeck, manufacturer of modular plastic flooring inserted in the market of events.

## Technical Specifications

Width	2 m
Height	1,1 m
Weight	12 kg
Feet length	50 cm
Barricade / Floor gap	27 cm
Wall thickness	0,6 a 1,4 cm
Material	Polipropileno ♻️
Colors	8 Colors



### Advertising

Central plate	35 x 30 cm
Sticker	35 x 30 cm
Canvas	121 x 63 cm



Plantillas disponibles:  
[linkgrades.com.br/downloads](http://linkgrades.com.br/downloads)

### Transport

Vehicle	Barricades
VUC	140
Truck	290
Wheeler	550
Container 20" HC	210
Container 40" HC	450

### Manufacture

Made in Brazil  
NCM: 3923.10.90  
EXW São Bernardo do Campo SP



### Accessories



Central Plate



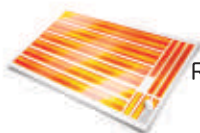
Sticker



Canvas



Stabilizer Feet



Reflective Tapes



Transportation Carts

### Comparative

16 Kg	Weight	12 Kg
✗	Advertising Area	✓
✗	Structural Standard	✓
✗	Irregular Ground Connection	✓
✗	Ergonomic Transport	✓
✗	Sustainable	✓
Low	Visibility	High
Yes	Maintenance	No



+55 (11) 3777-7464  
vendas@linkgrades.com.br  
f @linkgrades  
linkgrades.com.br

3085, Taboão Avenue,  
Vila Santa Luzia  
São Bernardo do Campo - SP  
Zip Code 09656-000 - Brazil

**Link** Barricades